



# ALACRON

## FastFrame-CB PCMCIA Board

Alacron introduces the FastFrame-CB. Available in analog, digital, and Camera Link configurations for greater flexibility and cost savings. The FastFrame-CB uses the latest FPGA and memory technology to produce a card with superior performance, low power, and storage for frame buffering/processing.



### *The Future of Image Acquisition and Processing*

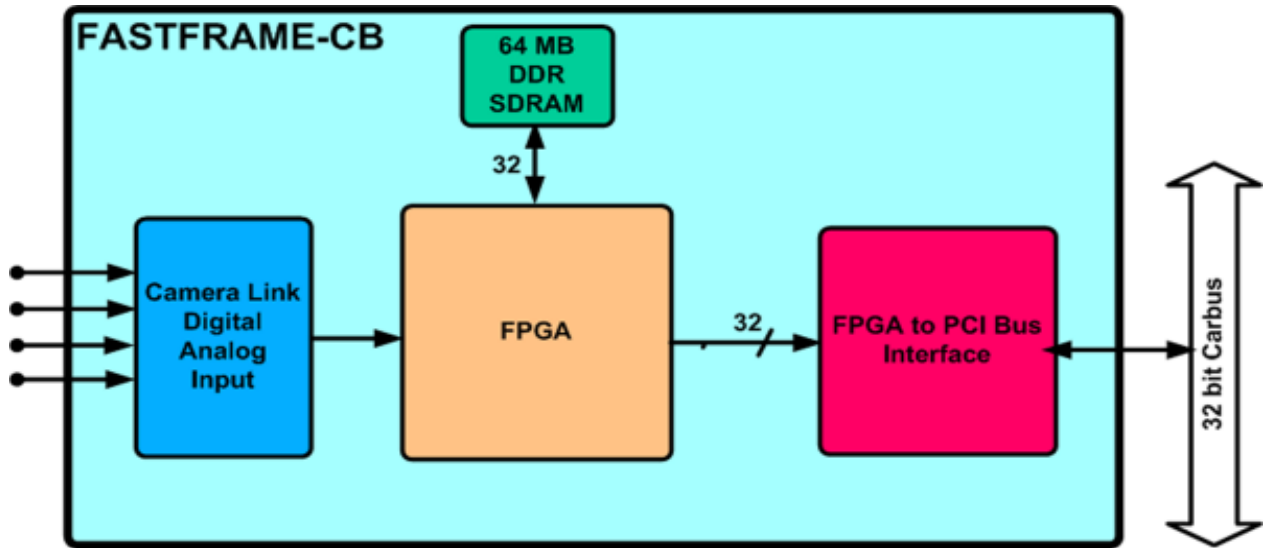
#### **FastFrame-CB Key Features:**

- PCMCIA form factor
- Digitizes four simultaneous channels of RS-170/NTSC/PAL/SECAM
- Up to 8 VCBS multiplexed inputs
- 36 programmable single ended or 18 pairs differential input signals
- 85 MHz Camera Link Base, Medium or Full interface
- Programmable FPGAs for I/O interface and application development
- PCI 32/133 interface
- 64 MB of on-board memory
- Multiple Software environments available:
  - FastMotion Application for Stand-alone data collection and storage
  - FastMotion DLL for Visual C/C++, VB, Labview and Matlab development
  - Drivers for Windows™ 2K/XP/XP64/Vista32/Vista64. Solaris™ and Linux





# FastFrame-CB PCMCIA Board



## INTERFACE OPTIONS

### NTSC/PAL COMP. VIDEO CAP.

- Four Analog input decoders, Digitizes two simultaneous channels
- Formats supported - NTSC (M, 4.43), PAL (B, D, G, H, I, M, N), and SECAM (B, D, G, K, K1, L) video data, RS-170
- ITU-R BT.601 standard sampling
- High-speed 9-bit ADC
- Input impedance – 75Ω.
- Channel crosstalk – -56 dB max.

### DIGITAL VIDEO CAPTURE

- 15 pair differential or 30 bit single ended operations.
- Comprehensive standards support: LVCMOS; LVTTTL; PCI, PCI-X; LVDS, Bus-LVDS, MLVDS, LVPECL; with programmable On Device Termination (ODT)
- Programmable direct via FPGA Firmware
- Max. clock rate – 595 MHz

### CHANNEL LINK

- Bi-directional Camera Control interface
- Base, Medium, or Full Camera Link supported

### CAMERA CONTROL

- Serial port - Asynch. RS-232, 600-19,200 Baud
- Frame/line start outputs
- External trigger
- RS-422, LVDS signaling

### PCMCIA INTERFACE

- Clock rate - 33MHz max.
- Data width - 32 bits, no 16 bit legacy mode support
- Standards compliance - PCMCIA Rev. 8.0
- Peak DMA rate - 132 MB/sec
- DMA to Host 90MB/s
- DMA to Board 60MB/s

### ENVIRONMENTAL

- Power consumption less than 1.0 Watt.
- Temperature range 0 to 50 degree C
- Optional Industrial temperature range version for -20 to 85 degree C operation (Consult factory)

