

The Alacron FT-DT, DT-Connect interface modules, are members of Alacron's family of high performance FastTrack daughter-cards.

These cards allow you to directly connect to a wide variety of video and analog I/O devices using Data Translation's DT-Connect Bus, at speeds up to 20 MB/sec. Alacron's FT-DT cards can be used with any DT-Connect product, or you can build your own interfaces conforming to the DT-Connect Bus specification, allowing for the greatest flexibility in I/O requirements.

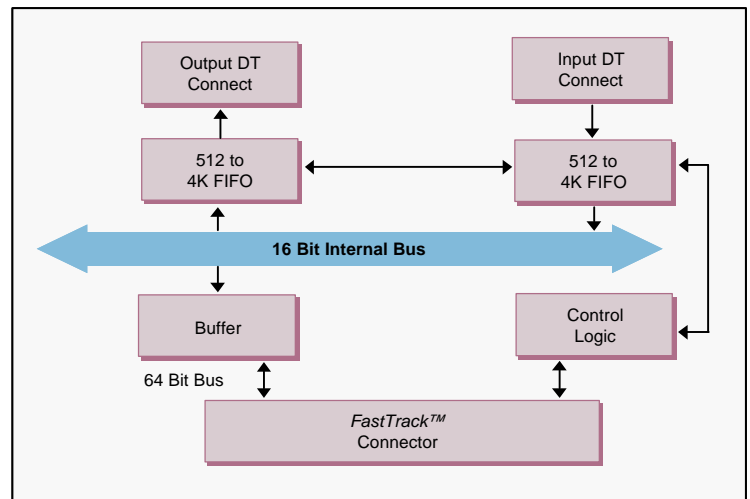
The FT-DT is available in two versions:

- The FT-DT/4 is a bidirectional programmed I/O device that relies on the processor for data movement to and from its FIFOs.
- The FT-DT/IN is an input only DMA device that transfers data to memory without processor intervention.

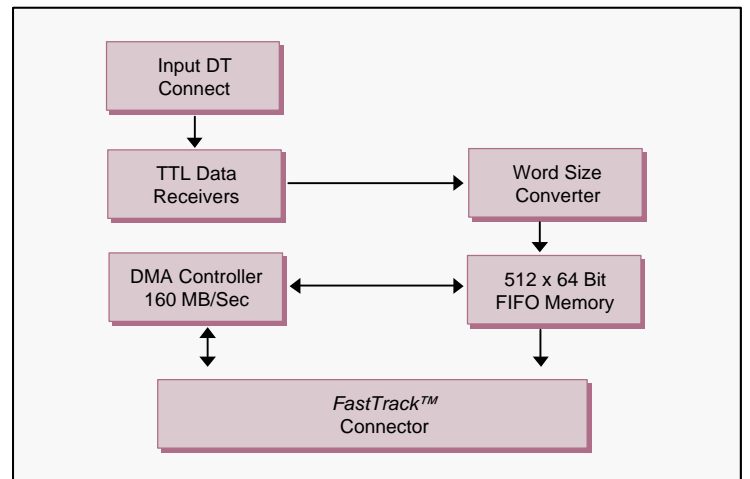
Both versions support DT-Connect I and DT-Connect II data rates.

Features

- Half-size daughter-card, occupies one of two expansion bus connectors
- 16-bit data bus
- Data may be packed to 64 bits by hardware
- Supports up to 20 MB/sec transfers
- Bidirection-programmed I/O transfers
- Separate 512 to 4096 word input and output FIFOs
- Ribbon cable connection to other DT-Connect boards



FT-DT/4 Block Diagram



FT-DT/IN Block Diagram